

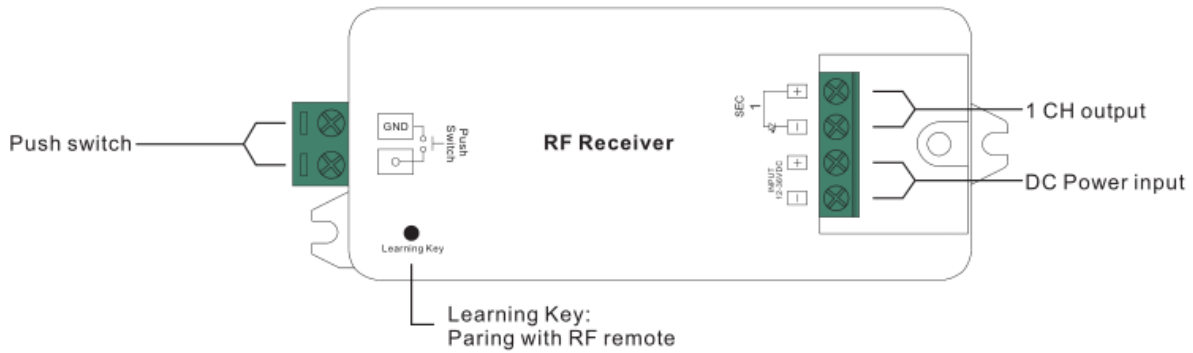


SPEC SHEET: WAVELUX AMBIENT SERIES SINGLE CHANNEL UL LISTED LED DIMMER

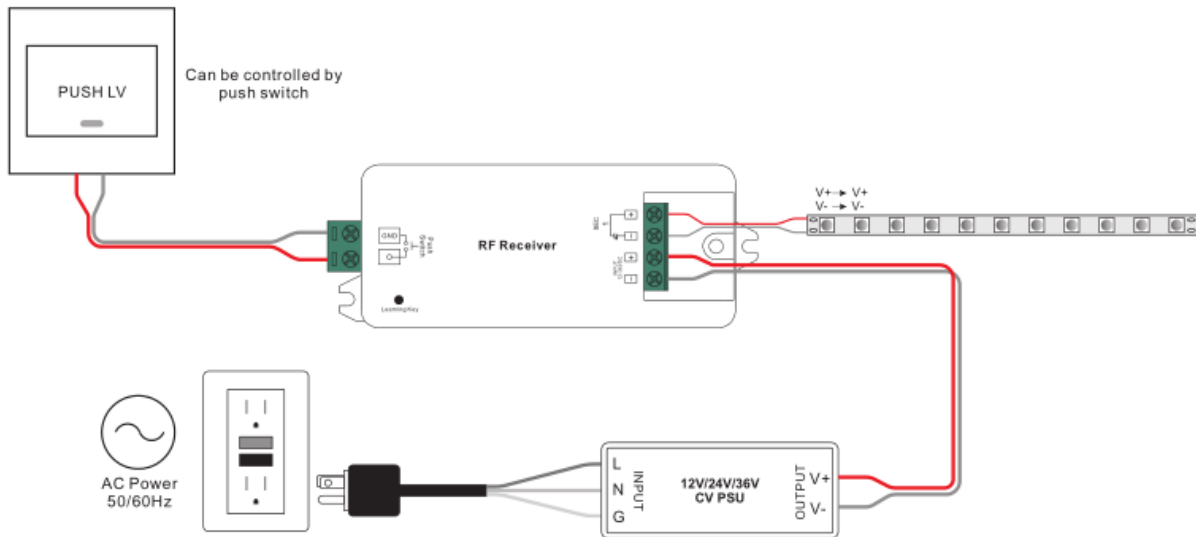
The Wavelux Ambient Series Single Channel UL Listed LED Dimmer is a brilliant and powerful LED Dimmer, that is compatible with all of the Ambient Series controllers, both wired and wireless. This dimmer has a beautiful 0-100 dimming curve with built in memory so it keeps the setting upon power up.

Size	SKU	Output	Voltage	Power	Certifications	RATING
37mm x 95mm (~3.9" x 0.75")	WAS001	1CH - 8A	12-36V DC	96-288W	UL, CE, FCC, RoHS, TUV	IP20

STRUCTURAL DIAGRAM:



WIRING DIAGRAM





PAIRING

The entire line of Wavelux Ambient Series remotes and receivers (dimmers) can be used interchangeably with one another. To pair a remote with the LED Dimmer, find the "Learning Key" on the top of the dimmer and press shortly. Check the remote instructions to find which button to press to finalize pairing. For many of the Ambient Series remotes, any button will finalize the pairing with the LED Dimmer.

To delete the remote/receiver pairing, press and hold the "Learning Key" button for at least 3 seconds until the light that is connected to the dimmer flashes. The remote is now unpaired.

EXTERNAL SWITCH

To use an external light switch with the Wavelux Ambient Series LED Dimmer, simply wire up through the external terminal plug making sure your polarity is correct. When connected, push your switch to toggle between on and off. Depending on your switch, press and hold the button to cycle through gradually increase or decrease the light intensity.

FAQ

Can Wavelux Ambient Series LED Dimmer be used for signage?

Yes, this dimmer works great for many applications including signage.

Is the Wavelux Ambient Series LED Dimmer capable of being used with a handheld remote?

Yes, ALL Ambient Series remotes work wonderfully with the Ambient Dimmers and are fully dimmable (0-100). For help selecting appropriate remote controller, please contact us for more information.

Is the Wavelux Ambient Series LED Dimmer compatible with Line Voltage Dimmers?

Depending on the dimmer switch you select, some will be compatible. For questions or concerns on compatibility, please contact us.

PRECAUTIONS

- Use 24V DC Isolated Power Supply to drive Wavelux LED Dimmer and the confirm ripple wave of constant voltage source is less than 5%. Do not use RC Voltage reduction or non-isolated power supply to drive LED Strip.
- In order to guarantee sufficient power is available to drive LED Light in all conditions, make sure LED TOTAL power consumption is rated for 20% less than total LED Dimmer capacity.
- Do not touch DC Terminals when powered on
- Polarity Matters! Make sure to wire positive and negative poles of wires during installation to avoid damage to the dimmer.
- Product is not intended to be submerged or used in outdoor environments.
- Professional installation recommended

Technical Support is available in person, on the phone or over email.

Support: 877-653-6616 | support@futureilluminations.com | 222 SE Alder St. Suite 1 | Portland, OR 97214

Installation Guide: Wavelux Ambient Series Single Channel LED Dimmer

Version 0.5