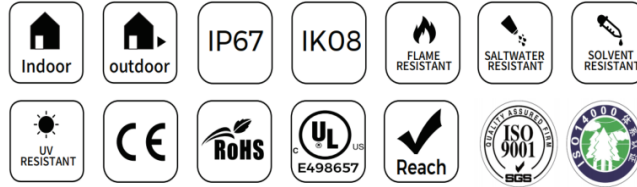




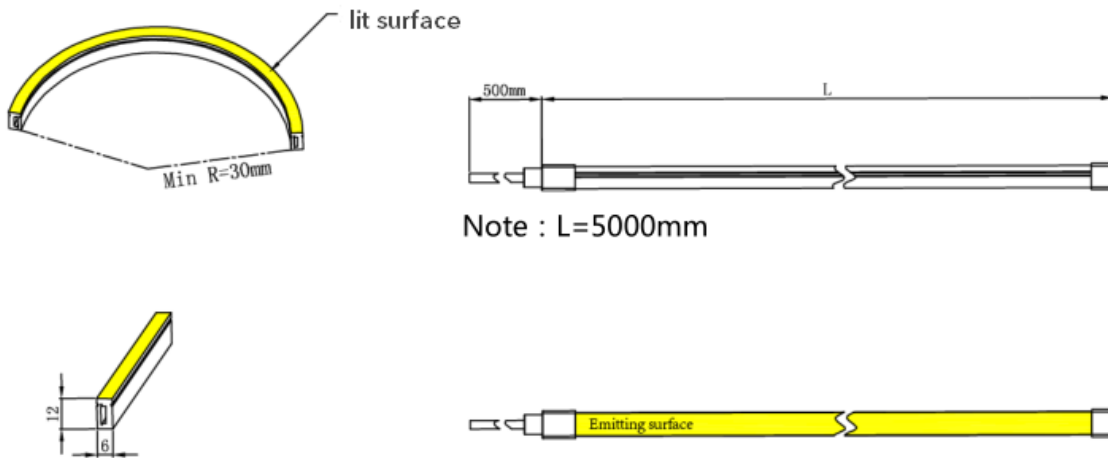
SPEC SHEET: PIXEL-FREE LED TRIM 6MM STRIP LIGHT

Pixel-Free LED Trim is a beautifully crafted LED Strip light that has all the diffusion done for you. The smooth silicone casing is soft to the touch, and has a high end look and feel, right out of the box, without the need of diffusers of any kind! Its slim profile makes this light perfect for signage, faux neon, highlighting features, trade show booths, events, stage performances, commercial and retail spaces, and much more. Embeds easily into woods, metals and plastics and also available to mount to an aluminum channel, clips or flexible channel for a fully integrated light system. Fully dimmable and rated for indoor or outdoor use.



Size	SKU	Color	Voltage	Brightness	Consumption	RATING
6 x 12mm	LDS201	Cool White (4500K)	24V DC	240 Lumens/m	9.6w/m	IP67
6 x 12mm	LDS202	Natural White (4000K)	24V DC	220 Lumens/m	9.6w/m	IP67
6 x 12mm	LDS203	Warm White (2700K)	24V DC	240 Lumens/m	9.6w/m	IP67
6 x 12mm	LDS204	Candle White (2300K)	24V DC	230 Lumens/m	9.6w/m	IP67
6 x 12mm	LDS211	Blue (~470nm)	24V DC	NA	8w/m	IP67
6 x 12mm	LDS212	Green (~530nm)	24V DC	NA	8w/m	IP67
6 x 12mm	LDS213	Red (~620nm)	24V DC	NA	8w/m	IP67
6 x 12mm	LDS215	Yellow (~590nm)	24V DC	NA	8w/m	IP67

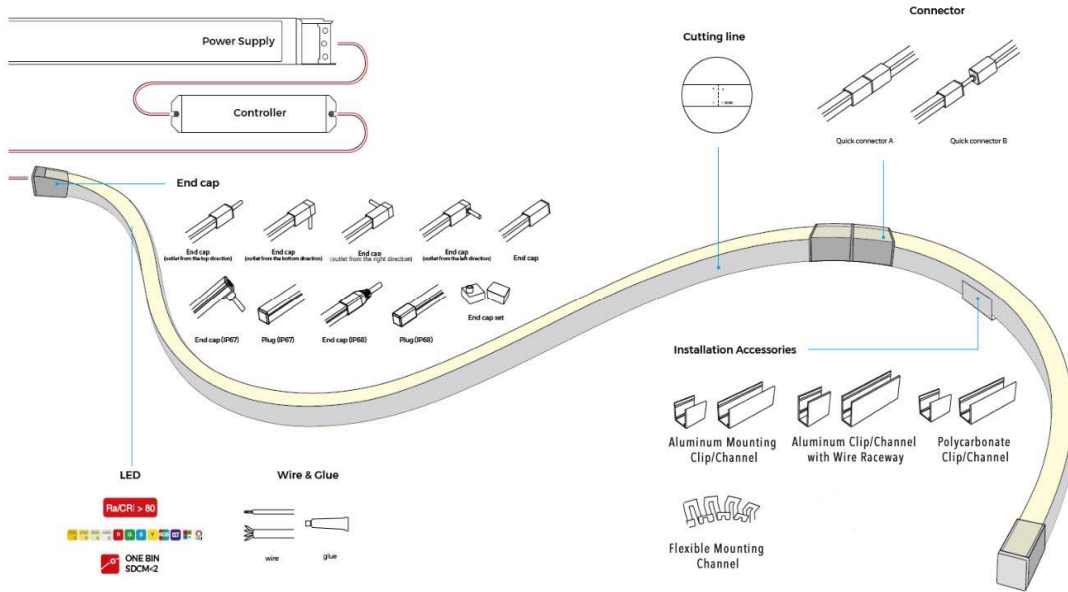
STRUCTURAL DIAGRAM:



Note : L=5000mm

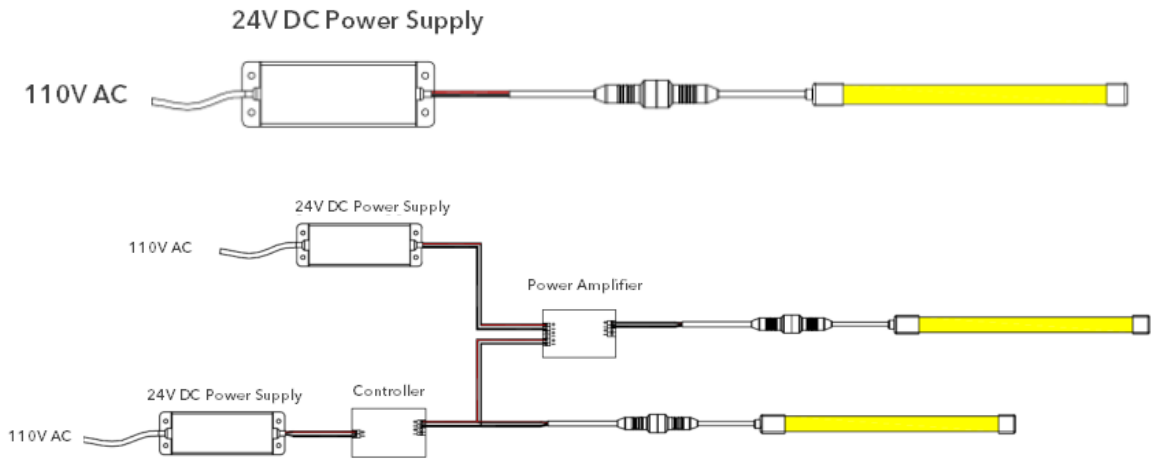
COMPANY	PROJECT	AREA	APPROVED BY	DATE

AVAILABLE ACCESSORIES

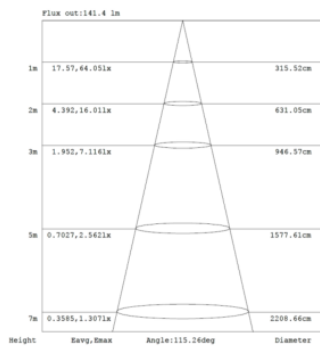


WIRING DIAGRAM

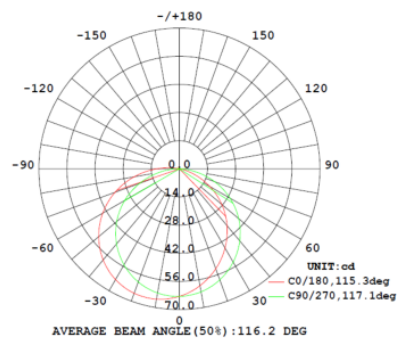
NON-DIMMABLE



LIGHT DISTRIBUTION



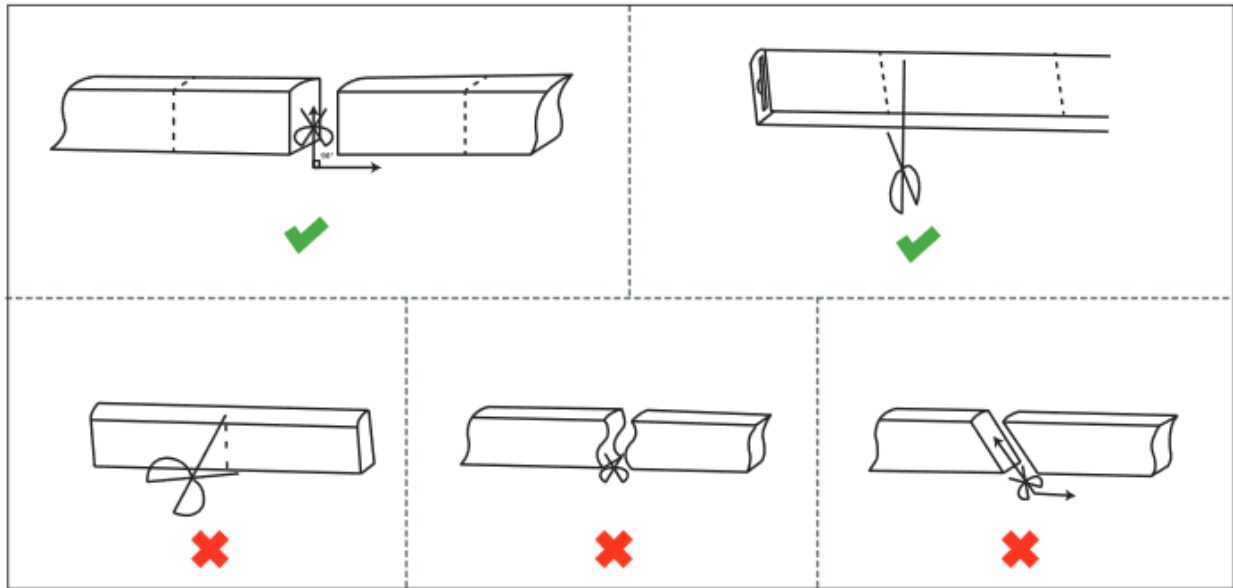
AAI Figure



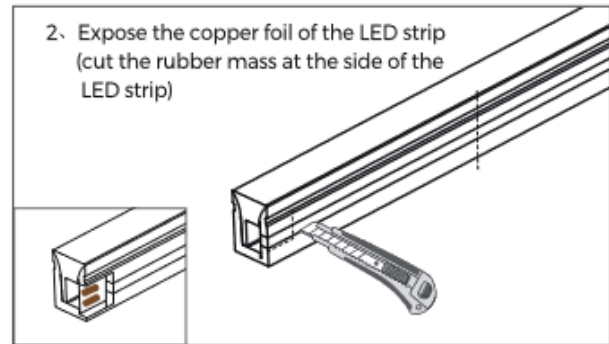
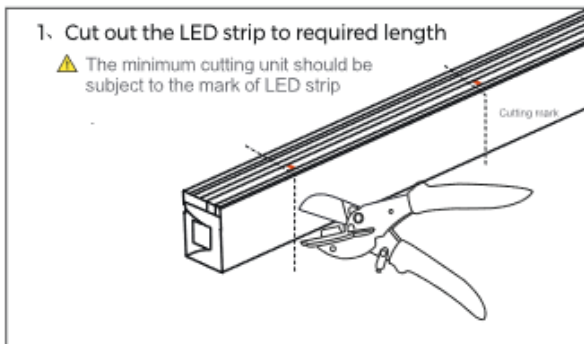
Photometric of 1M strip

CUTTING/CONNECTION INSTRUCTIONS

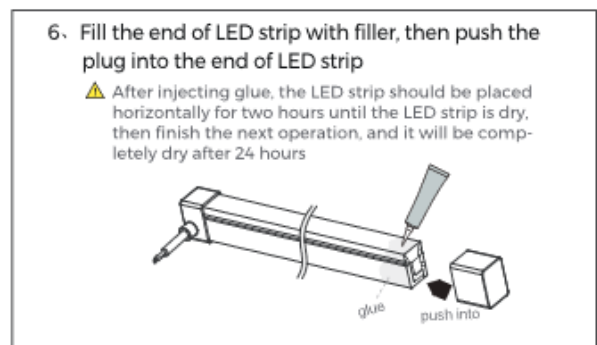
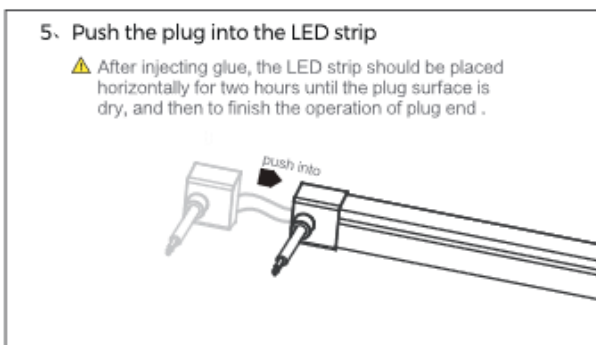
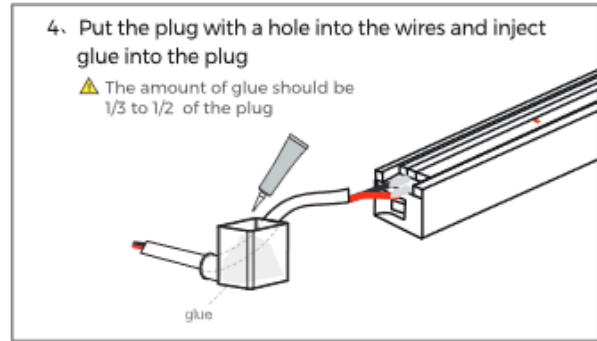
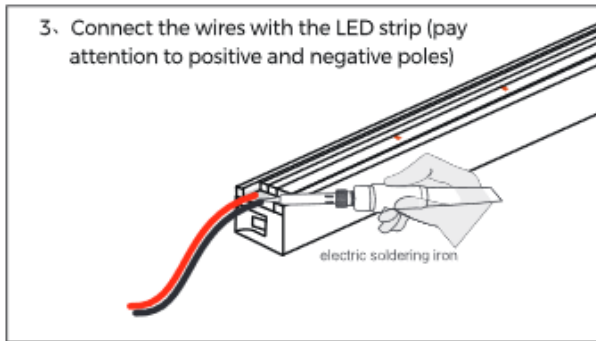
It is highly recommended to cut the LED at a straight 90° angle directly on the cut sections marked on the exterior jacket. This will avoid damaging LEDs inside the housing. Cutting at an angle is not recommended as it can cut areas not intended to be trimmed, which may have adverse effects.



Once the LED is cut, use flush cutters or razor blade to expose the backside of the LED strip. The backside is the same side as the cut marks on the side of the jacket.

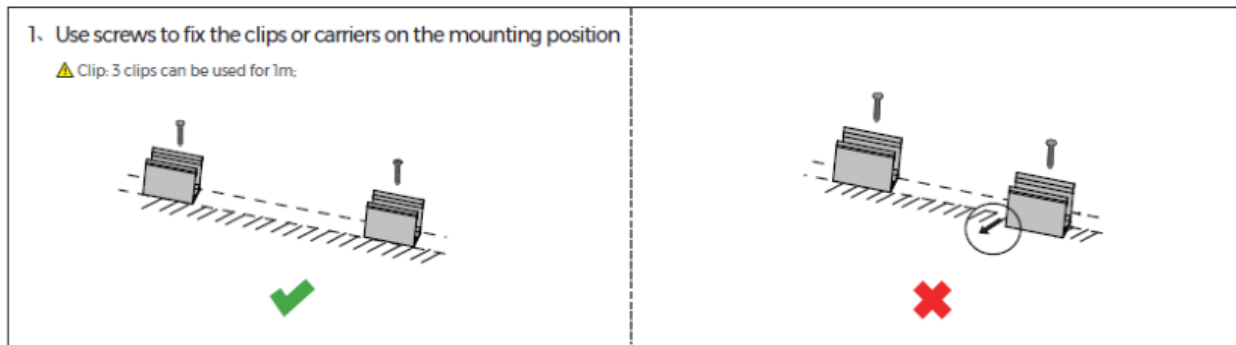


Proceed in soldering your wires to the LED strip, paying attention to the polarity.

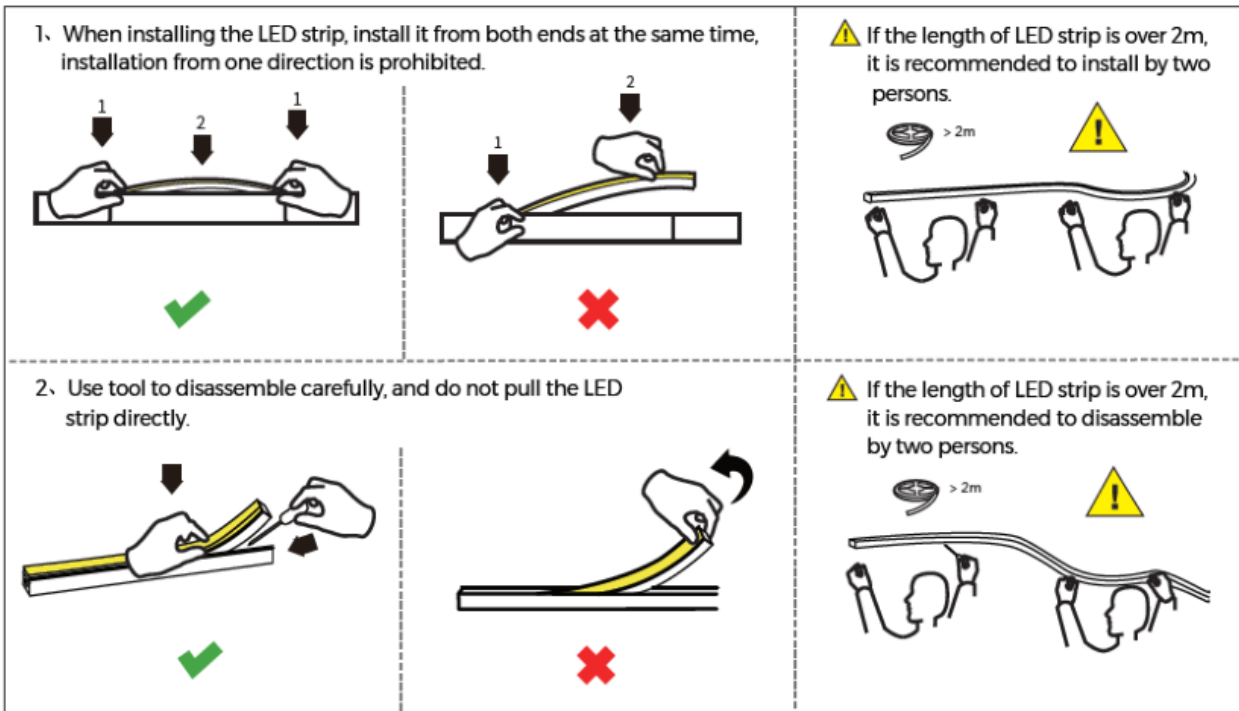


INSTALLATION INSTRUCTIONS

Using mounting clips - Make sure the mounting clips are on the same plane to avoid awkward bending of the strip.



Installation into linear channels or substrates - It is recommended to use caution when inserting the strip into channels and various substrates. Because the LED is not intended to have a tight bending radius laterally, make sure to use extreme caution when inserting or removing the strip from its channel.



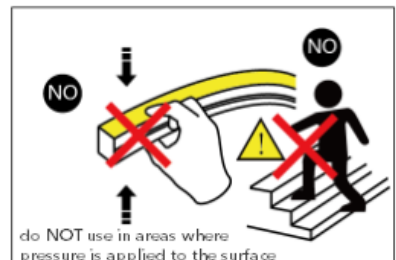
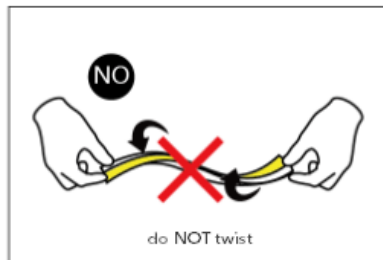
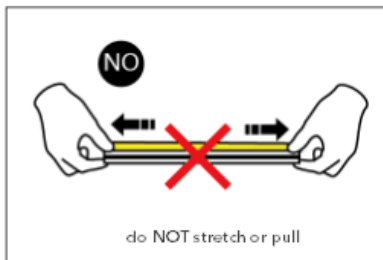
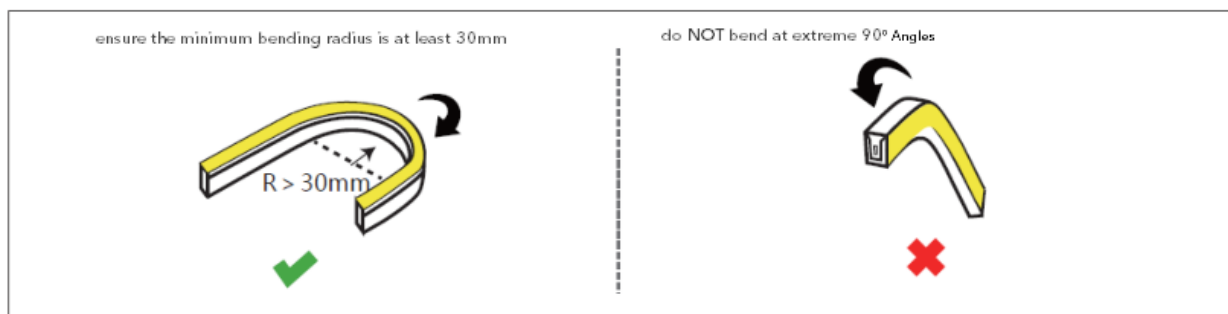
FAQ

Can Pixel-Free LED Trim be cut?

Yes, cut point on Pixel-Free LED Trim can be cut every 25mm (~1"). Any cut point should be sealed with a silicon adhesive along with the Pixel-Free LED Trim end caps. These end caps keep debris and moisture from entering when a waterproof adhesive is applied.

Is Pixel-Free LED Trim able to bend back and forth?

While Pixel-Free LED Trim has the tightest bending radius in its class (30mm = 1.2"), back and forth bending can cause premature failure of the strip. We recommend handling the product with care, and bending minimally while the product is placed in its fixed location.





PRECAUTIONS

- Use 24V DC Isolated Power Supply to drive Pixel-Free LED Trim and the confirm ripple wave of constant voltage source is less than 5%. Do not use RC Voltage reduction or non-isolated power supply to drive LED Strip.
- In order to guarantee sufficient voltage is available to drive LED Strip in all conditions, make sure power supply is rated for 20% more than LED Strip consumption.
- Do not touch AC Power Supply when powered on
- Polarity Matters! Make sure to wire positive and negative poles of wires during installation to avoid damage to the strip.
- Avoid scratching, distorting, and repeated bending of product during installation. Not following this can cause irreparable damage to strip.
- Do not bend Pixel-Free LED Trim with a radius less than 30mm (1.2")
- Product is not intended to be submerged and used in swimming pools or hot tubs
- Professional installation recommended