



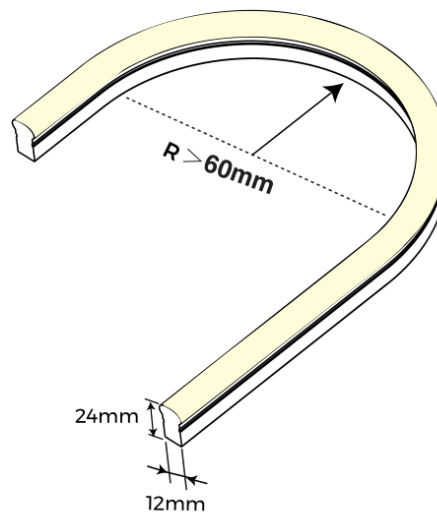
SPEC SHEET: PIXEL-FREE LED FLEXIBLE NEON LED STRIP LIGHT

Pixel-Free LED Flexible Neon LED Strip Light is an ideal product for outdoor signage where applications intend to mimic neon. The flexible nature of the product makes it ideal for creating wayfinding or architectural accents, parking garage or many other lights. This strip light uses a proprietary food-grade silicone jacketing to diffuse the lighting in both single color and RGB (Red, Green, Blue) applications, which makes it suitable for restaurant, bars, nightclubs and more. The robust protective material allows the strip to provide an IP67 outdoor rated versatility while being field cuttable and anti-corrosive. With optional injection molded end caps, the water resistance increases to a brilliant IP68 rating, suitable for nearly any wet location. Resistant to saline solutions, acids, alkali, UV and corrosive gases, the Pixel-Free LED Flexible Neon Strip Light Series is a workhorse in any residential or commercial linear lighting application in virtually any environment. Working temperature is from -20~55°C, and has a long lifespan (36,000 Hours). Comes with 3-year warranty.

Outputting a bright and even light, the densely packed pixels are flexible enough to wrap up to a bend diameter of 60mm (~2.25"). Pixel Free LED RGB Light Strips are cuttable every 83mm (~3.2") and single-color applications area cuttable every 50mm (~2"). Strip Light is available in single color variations, in various color temperatures of white. Pixel-Free LED lighting is great for use as an architectural accent, to bring life to retail displays, custom signage, or simply creating a clean and professional aesthetic for any project you can dream of.

Size	SKU	Color	Voltage	Brightness	Consumption	RATING
12 x 24mm	LDN061	Cool White (~5000K)	24V DC	490 Lumens/m	9.6w/m	IP67
12 x 24mm	LDN062	Natural White (~4200K)	24V DC	520 Lumens/m	9.6w/m	IP67
12 x 24mm	LDN063	Warm White (~2700K)	24V DC	520 Lumens/m	9.6w/m	IP67
12 x 24mm	LDN064	Warm Candle Light (~2200K)	24V DC	510 Lumens/m	9.6w/m	IP67
12 x 24mm	LDN053	Red (620-630nm)	24V DC	N/A	8w/m	IP67
12 x 24mm	LDN052	Green (525-530nm)	24V DC	N/A	8w/m	IP67
12 x 24mm	LDN051	Blue (465-470nm)	24V DC	N/A	8w/m	IP67
12 x 24mm	LDN055	Yellow (587-592nm)	24V DC	N/A	8w/m	IP67
12 x 24mm	LDN050	RGB (Red, Green, Blue)	24V DC	N/A	12w/m	IP67

STRUCTURAL DIAGRAM:



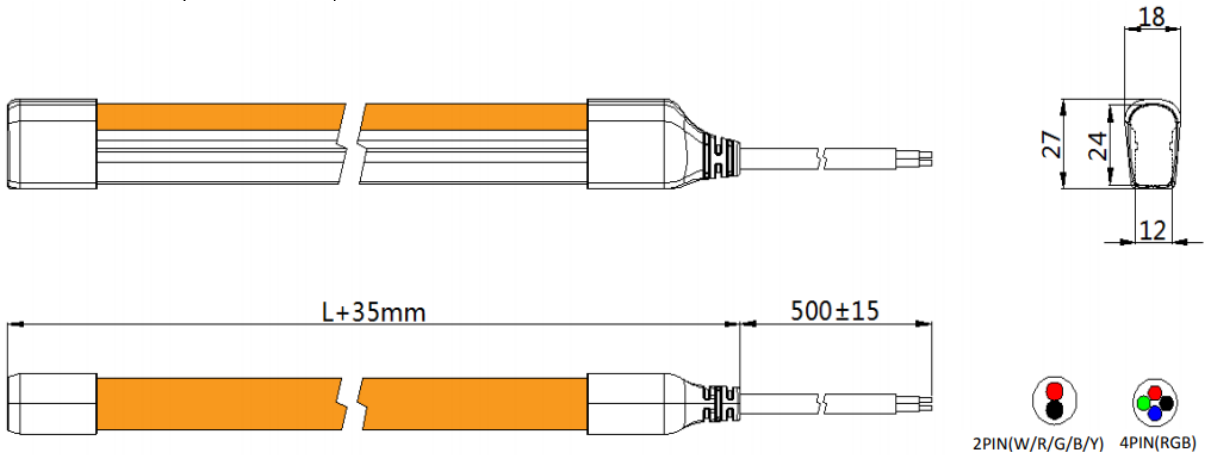
Product Features:

- 270° Viewing Angle Illumination
- Flexible & Water Resistant IP68 (With Factory Cut/Sealed End Caps)
- Can be Easily Affixed to a Range of Surface Types with Adhesive Backing
- Pixel Diffusion to Eliminate Hot Spots and Shadowing
- Better Flexibility Than Traditional PVC Neon Products



**PRODUCT PROTECTIVE STRUCTURE
IP68 END CAP**

Note: Factory sealed end cap adds 35mm to overall dimensions

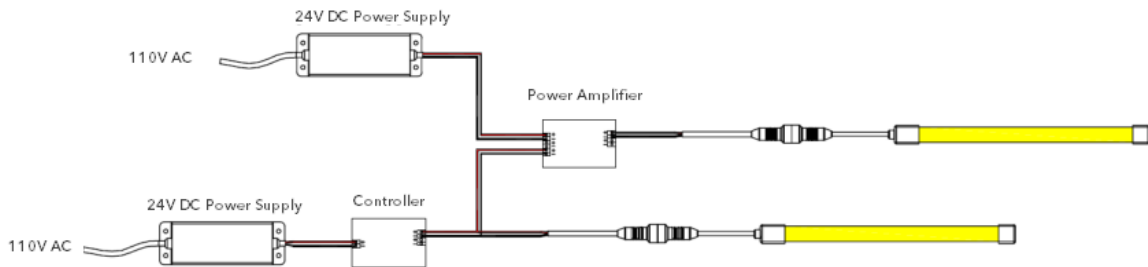


WIRING DIAGRAM

NON-DIMMABLE

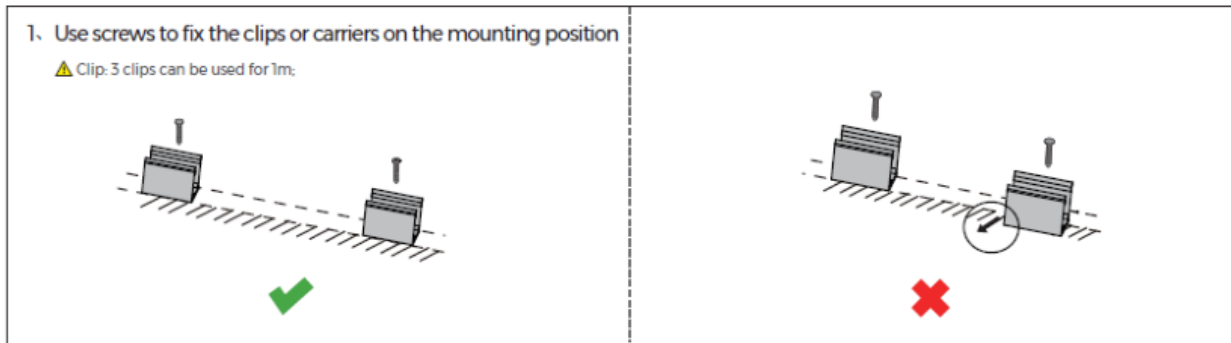


DIMMABLE

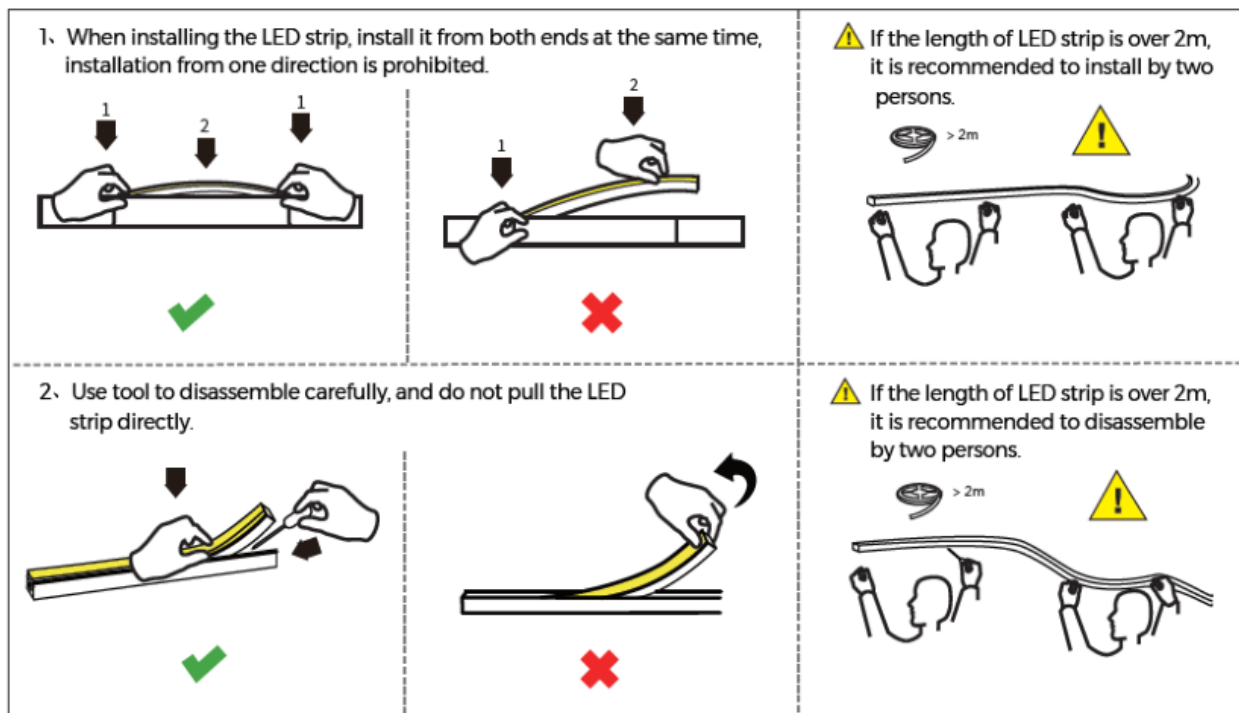


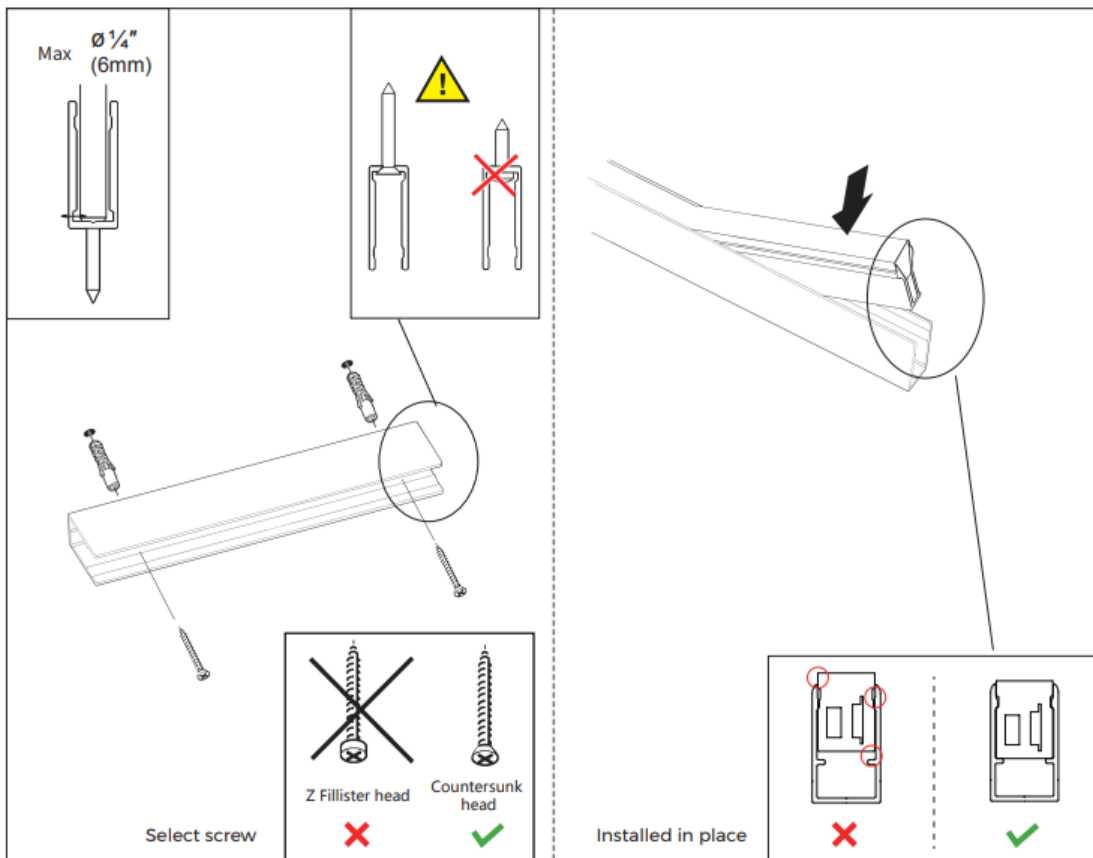
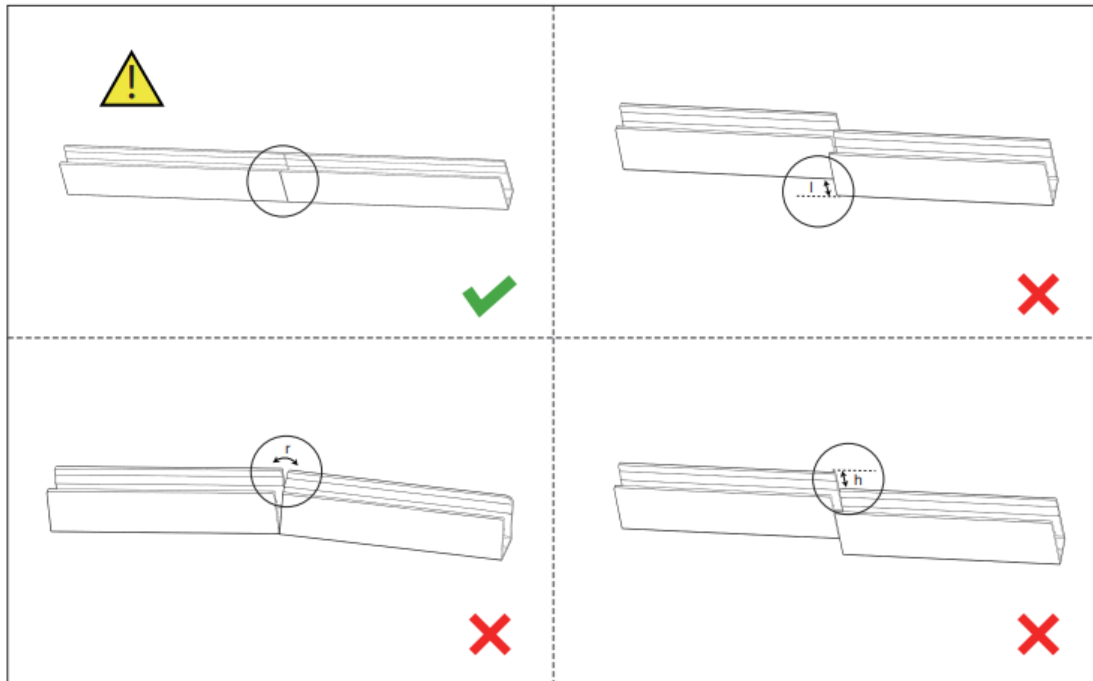
INSTALLATION INSTRUCTIONS

Using mounting clips - Make sure the mounting clips are on the same plane to avoid awkward bending of the strip. The channel is meant to side to side (like a snake), not up and down (like a roller coaster).



Installation into linear channels or substrates - It is recommended to use caution when inserting the strip into channels and various substrates. LED is not meant to have sharp bends, so make sure to use extreme caution when inserting or removing the strip from a channel.







FAQ

Can Pixel-Free LED Flexible Neon be cut?

Yes, cut point on Pixel-Free LED Flexible Neon can be cut every 50mm (~2") for single color applications, or 83mm (3.2") for RGB applications. Any cut point should be sealed with a silicon adhesive along with the Silicone Pixel-Free LED end caps. These end caps keep debris and moisture from entering when a waterproof adhesive (like silicon glue) is applied.

Is Pixel-Free LED Flexible Neon able to bend back and forth?

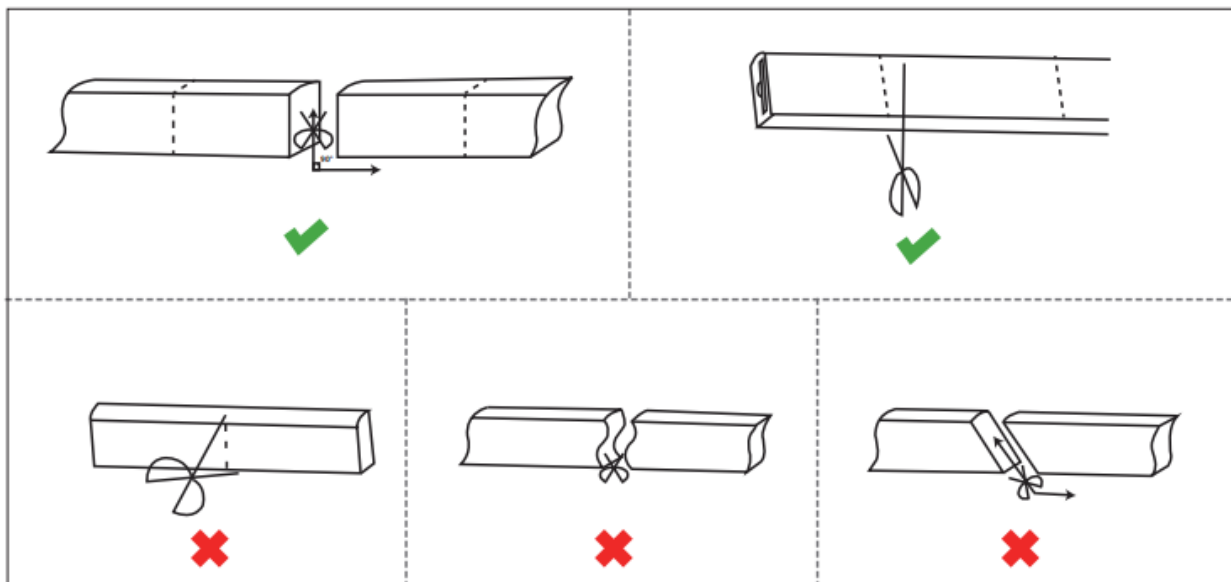
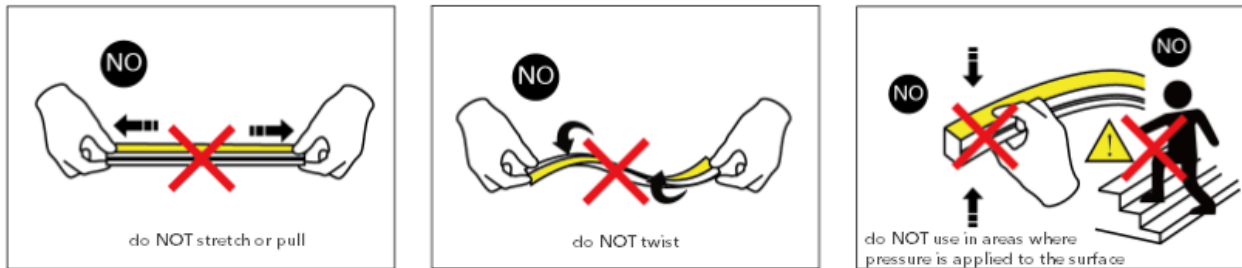
While Pixel-Free LED is one of the tightest bending radius LED Strips in its class (60mm ~ 2.25"), back and forth bending can cause premature failure of the strip. We recommend handling the product with care, and bending minimally while the product is placed in its fixed location. Do not try to stretch the LED to pull it taught over long distances, and do not twist or distort the jacket to turn into tight corners. Doing so can cause failure to the strip.

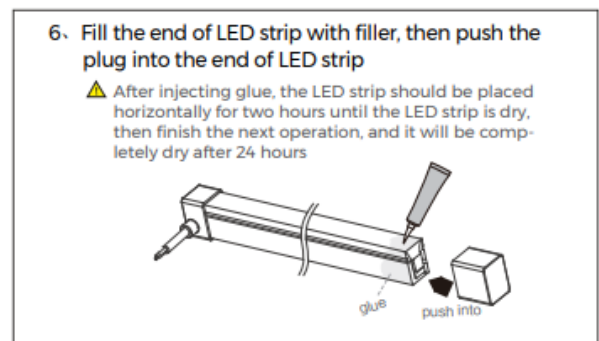
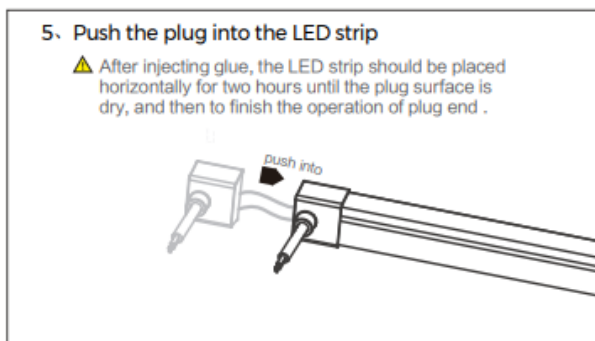
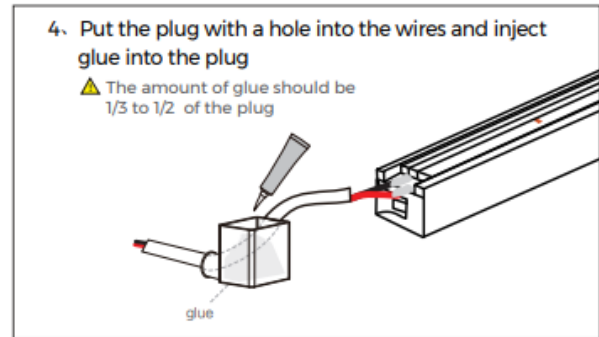
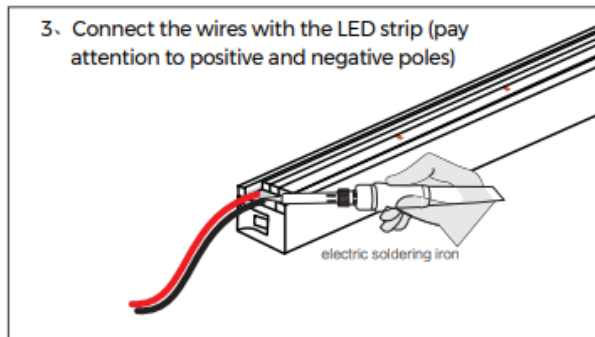
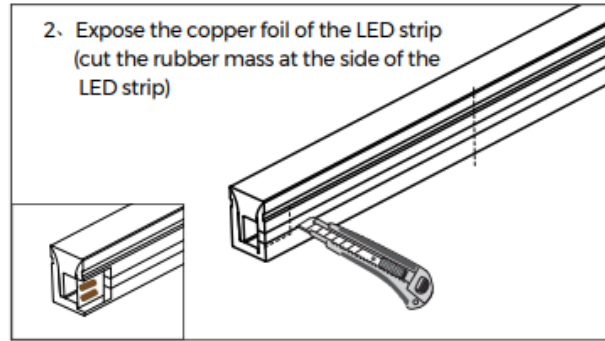
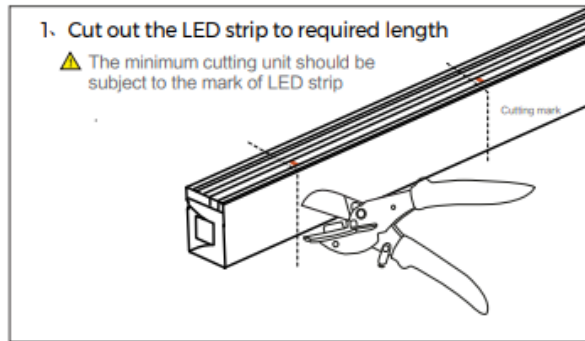
Can You Install Pixel-Free Flexible Neon On Floors?

Pixel-Free LED is able to be installed on steps to illuminate pathways, however it should be used on the bottom side of steps where minimal to no pressure is applied. Do not install in areas where it will be walked on or have pressure applied.

Can You Install Pixel-Free Flexible Neon In Swimming Pools?

While Pixel-Free LED Flexible Neon is able to achieve an IP68 rating when using the factory sealed connectors, we do not recommend submerging in swimming pools or fountains.





PRECAUTIONS

- Use 24V DC Isolated Power Supply to drive Pixel-Free LED and the confirm ripple wave of constant voltage source is less than 5%. Do not use RC Voltage reduction or non-isolated power supply to drive LED Strip.
- In order to guarantee sufficient voltage is available to drive LED Strip in all conditions, make sure power supply is rated for 20% more than LED Strip consumption.
- Do not touch AC Power Supply when powered on
- Polarity Matters! Make sure to wire positive and negative poles of wires during installation to avoid damage to the strip.
- Avoid scratching, distorting, and repeated bending of product during installation. Not following this can cause irreparable damage to strip.
- Do not bend Pixel-Free LED with a radius less than 60mm (2.25")
- Product is not intended to be submerged and used in swimming pools or hot tubs
- Professional installation recommended