



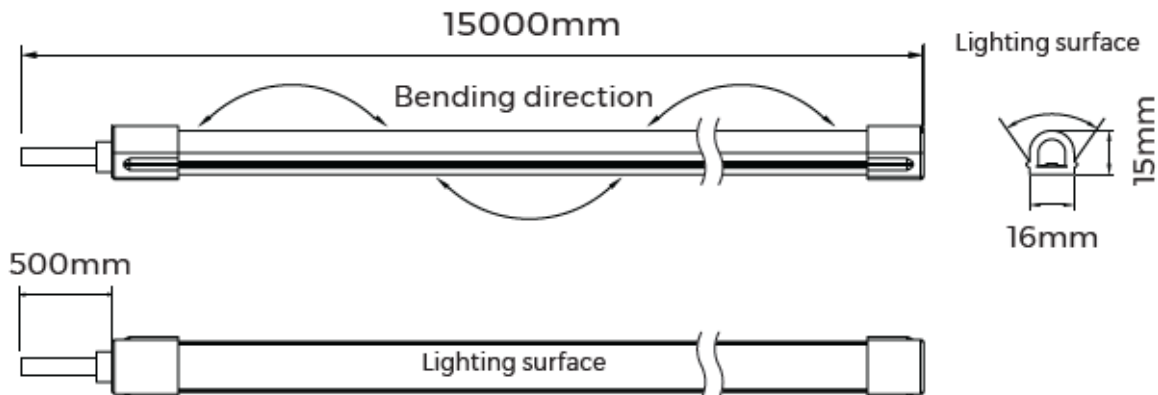
SPEC SHEET: PIXEL-FREE LED COMMERCIAL LED STRIP LIGHT

Pixel-Free LED Commercial Series Strip Light is a more industrial version of our ever-popular Pixel-Free LED strip. This strip light contains a slightly more rigid feel and wonderfully diffused LED strip even when dimmed. The silicon material allows the strip to provide an IP67 outdoor rated versatility while being field cuttable and anti-corrosive. Resistant to saline solutions, acids, alkali, UV and corrosive gases, the Pixel-Free LED Commercial Series is a workhorse in any residential or commercial linear lighting application. Working temperature is from -20~45°C, and has a long lifespan (36,000 Hours). Comes with 3-year warranty.

Outputting a bright and even light, the densely packed pixels are flexible enough to wrap up to a bend diameter of 75mm (~3"). Pixel Free LED RGB Light Strips are cuttable every 50mm (~2"), and also available in single color variations, in various color temperatures of white. Pixel free lighting is great for use as an architectural accent, to bring life to retail displays, custom signage, or simply creating a clean and professional aesthetic for any project you can dream of.

Size	SKU	Color	Voltage	Brightness	Consumption	RATING
16 x 15mm	LDF001	Cool White (5000K)	24V DC	800 Lumens/m	11w/m	IP67
16 x 15mm	LDF002	Natural White (3700K)	24V DC	820 Lumens/m	11w/m	IP67
16 x 15mm	LDF003	Warm White (2700K)	24V DC	780 Lumens/m	11w/m	IP67
16 x 15mm	LDF004	Candle Warm White (2300K)	24V DC	750 Lumens/m	11w/m	IP67
16 x 15mm	LDF012	Red, Green, & Blue	24V DC	300 Lumens/m	14.4w/m	IP67

STRUCTURAL DIAGRAM:



Product Features:

- 160° Light Angle Illumination
- Flexible & Water Resistant IP67 Jacketing
- Can be Easily Affixed to a Range of Surface Types with Adhesive Backing
- Pixel Diffusion to Substantially Reduce Hot Spots and Shadowing
- High Quality RGB 4040SMD LED

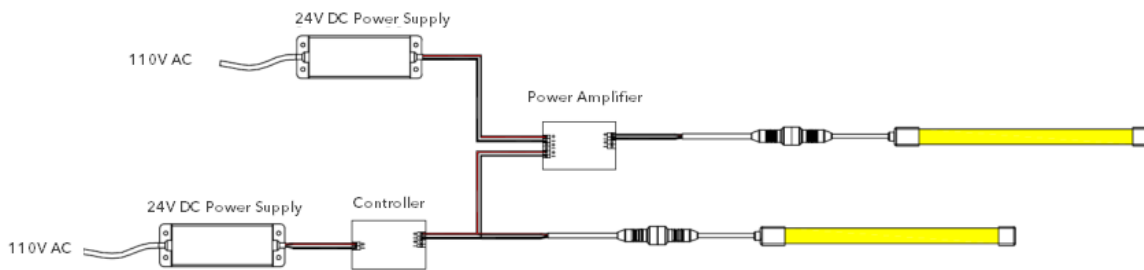


WIRING DIAGRAM

NON-DIMMABLE

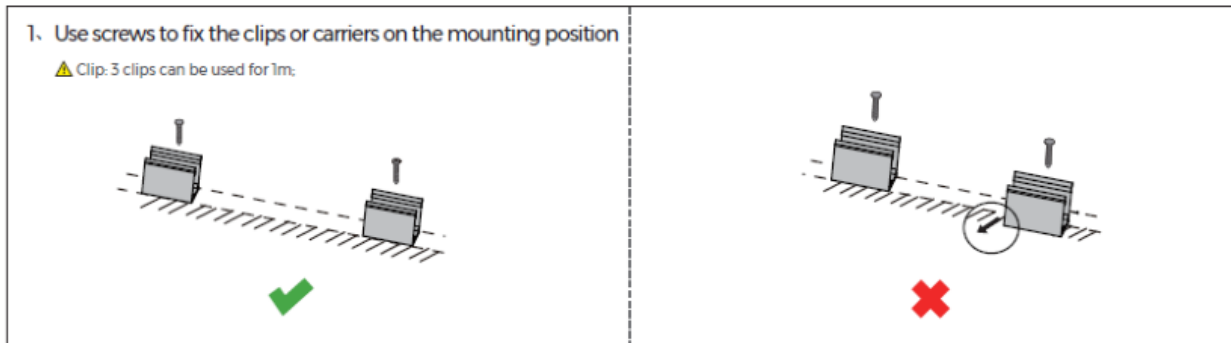


DIMMABLE



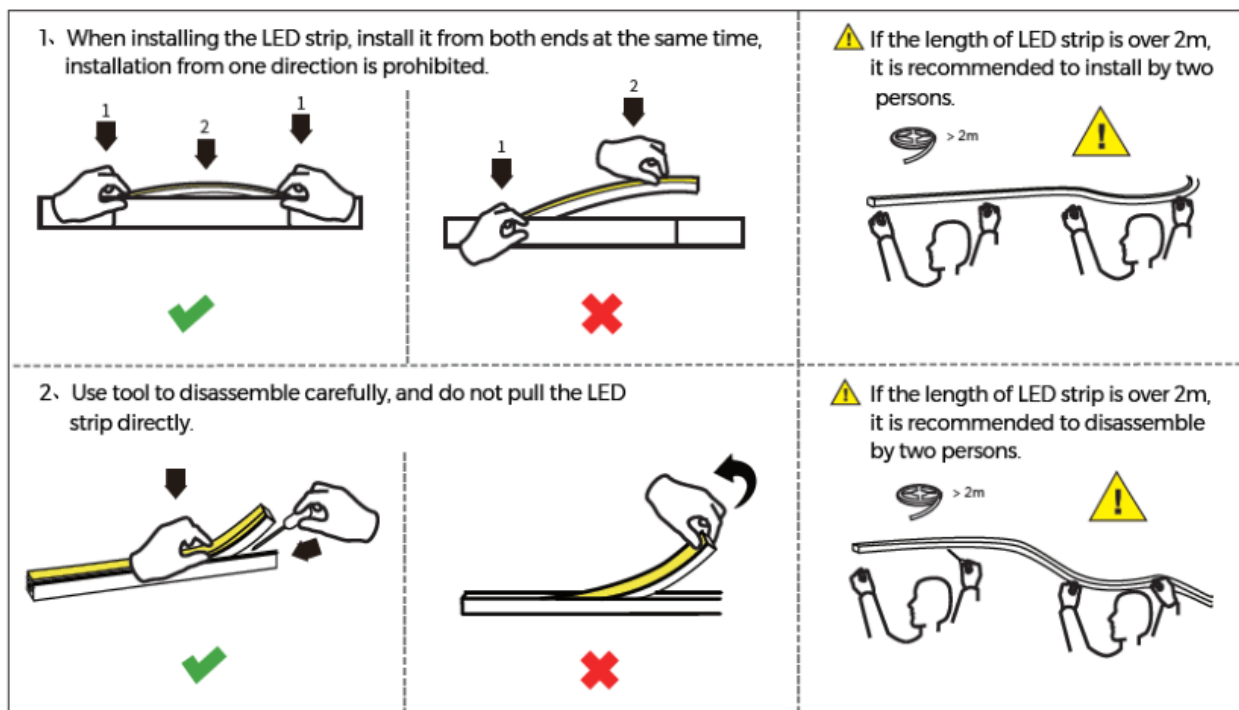
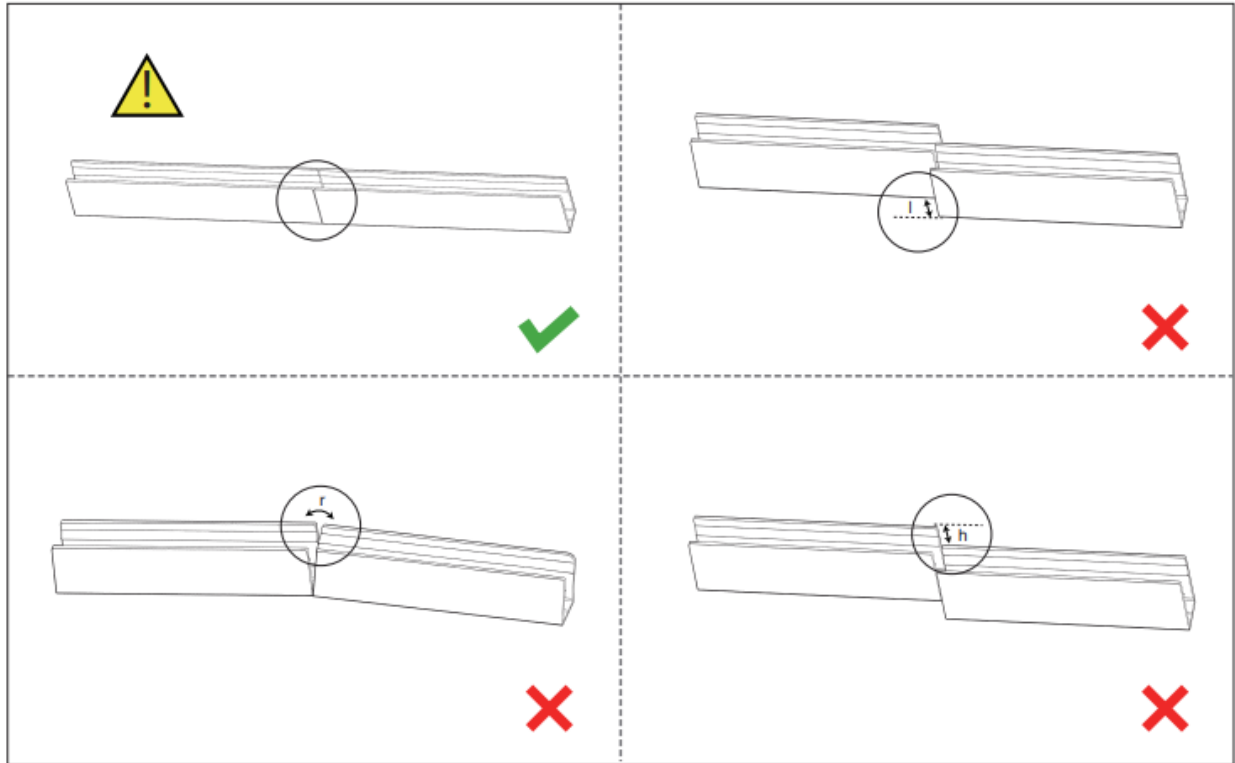
INSTALLATION INSTRUCTIONS

Using mounting clips - Make sure the mounting clips are on the same plane to avoid awkward bending of the strip. The channel is meant to move up and down, like a roller coaster. Not side to side.

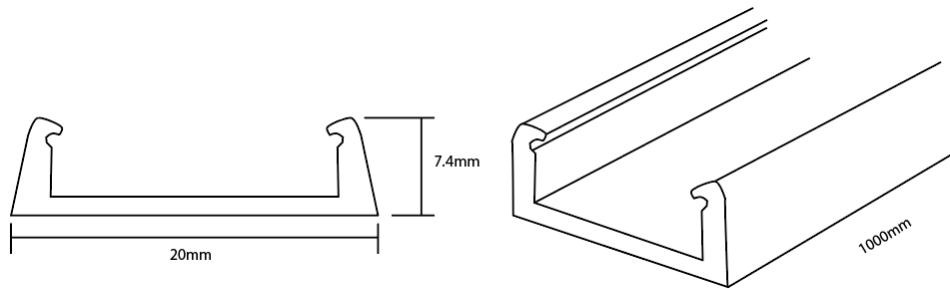


CHANNEL INSTALLATION

When installing into linear channels or substrates, it is recommended to use caution when inserting the strip into channels and various substrates. LED is not meant to have sharp bends, so make sure to use extreme caution when inserting or removing the strip from a channel.

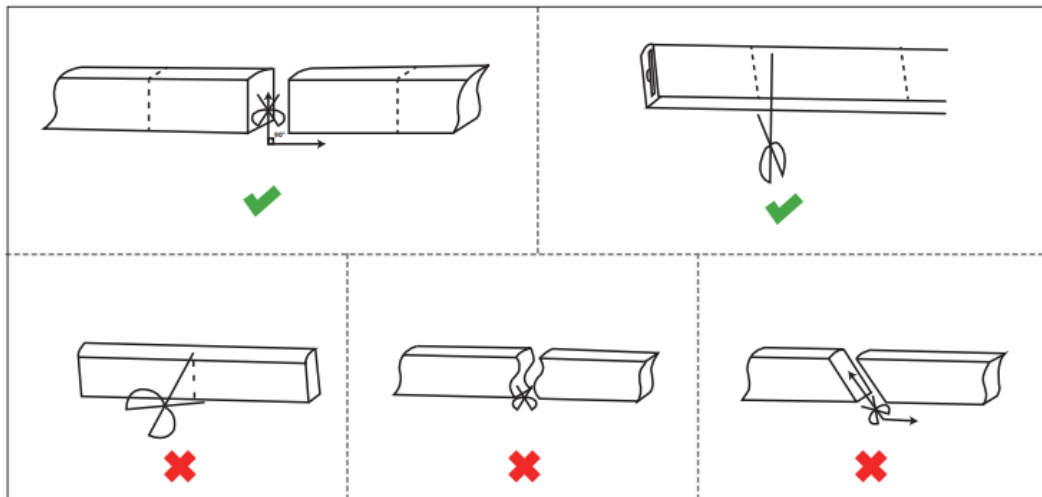


MOUNTING CHANNEL

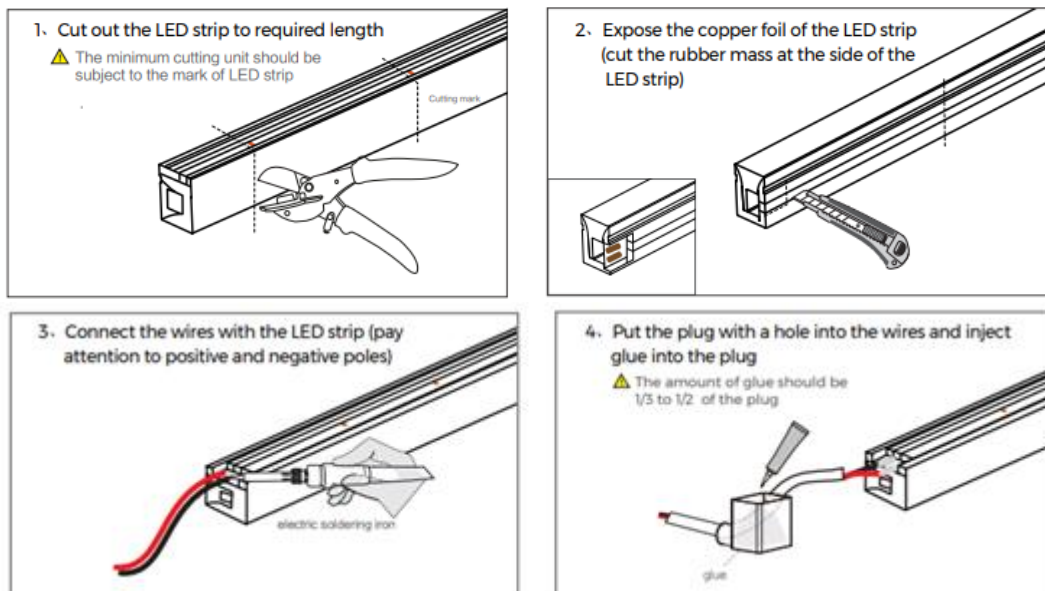


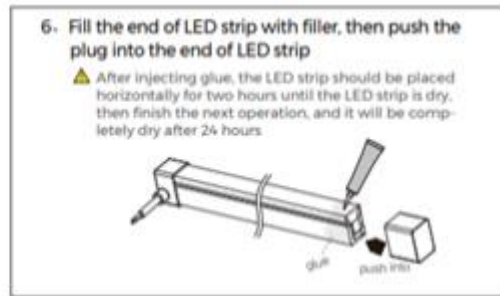
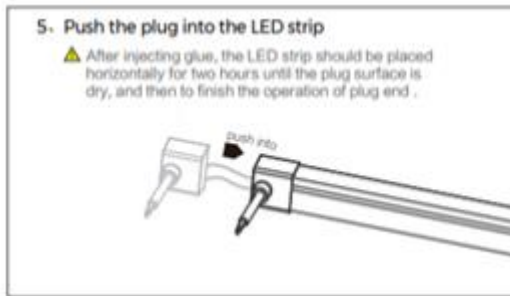
CUTTING

When cutting the product, make sure to cut on the marked line on the back side of the strip. Because the line is located on the inside of the strip, sometimes it is difficult to see the strip except in a well-lit environment.



Cut straight through the silicone tube and notch out the back with a razor blade to expose the LED contacts on the inside. Then solder the contact points according to the strip's polarity. Add end cap and fill with silicone glue.





FAQ

Can Pixel-Free LED Commercial be cut?

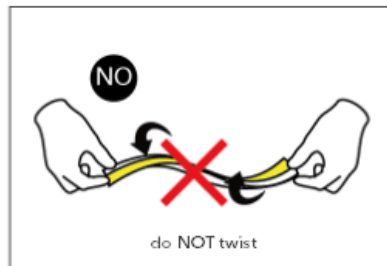
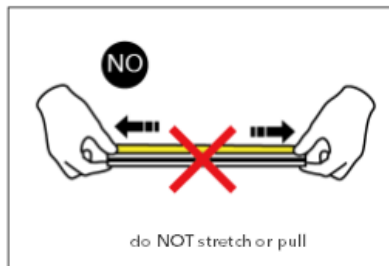
Yes, cut point on Pixel-Free LED can be cut every 50mm (~2"). Any cut point should be sealed with a silicon adhesive along with the Silicon Pixel-Free LED end caps. These end caps keep debris and moisture from entering when a waterproof adhesive (like silicon glue) is applied.

Is Pixel-Free LED able to bend back and forth?

While Pixel-Free LED is one of the tightest bending radius LED Strips in its class (75mm ~ 3"), back and forth bending can cause premature failure of the strip. We recommend handling the product with care, and bending minimally while the product is placed in its fixed location. Do not try to stretch the LED to pull it taut over long distances, and do not twist or distort the jacket to turn into tight corners. Doing so can cause failure to the strip.

Can You Install Pixel-Free On Floors?

Pixel-Free LED is able to be installed on steps to illuminate pathways, however it should be used on the bottom side of steps where minimal to no pressure is applied. Do not install in areas where it will be walked on or have pressure applied.



PRECAUTIONS

- Use 24V DC Isolated Power Supply to drive Pixel-Free LED and the confirm ripple wave of constant voltage source is less than 5%. Do not use RC Voltage reduction or non-isolated power supply to drive LED Strip.
- In order to guarantee sufficient voltage is available to drive LED Strip in all conditions, make sure power supply is rated for 20% more than LED Strip consumption.
- Do not touch AC Power Supply when powered on
- Polarity Matters! Make sure to wire positive and negative poles of wires during installation to avoid damage to the strip.
- Avoid scratching, distorting, and repeated bending of product during installation. Not following this can cause irreparable damage to strip.
- Do not bend Pixel-Free LED with a radius less than 75mm (3")
- Product is not intended to be submerged and used in swimming pools or hot tubs
- Professional installation recommended