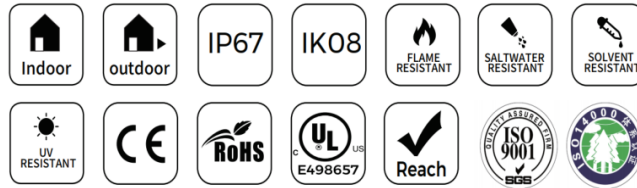




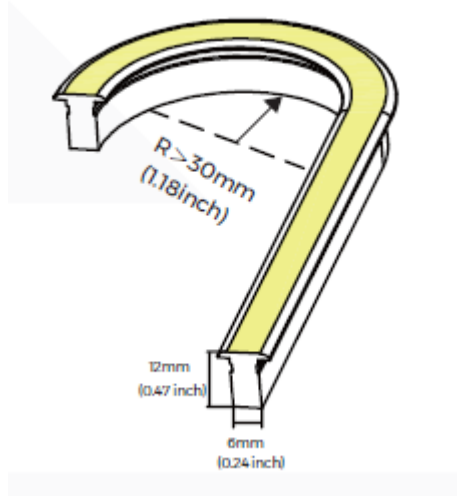
SPEC SHEET: PIXEL-FREE LED BASE TRIM STRIP LIGHT

Pixel-Free LED Base Trim is a beautifully crafted LED Strip light that has all the diffusion and trim work done for you. The smooth silicone casing is soft to the touch, and has a high-end look and feel, right out of the box, without the need of diffusers of any kind! The "base" version adds a silicone-based tab to the face of the light, so it can easily be press fit into 6mm (0.25") wide openings, and it gives the appearance of being professionally installed thanks to the unique casing. Its slim profile makes this light perfect for signage, faux neon, highlighting features, trade show booths, events, stage performances, commercial and retail spaces, outdoor or indoor spaces, backyard and game rooms, and much more. Embeds easily into woods, metals and plastics and also available to mount to an aluminum channel, clips or flexible channel for a fully integrated light system. Fully dimmable and rated for indoor or outdoor use. The LEDs boast a long lifespan >36k Hours, and product comes with a 3-Yr warranty (Indoor use) or 2-Yr warranty (Outdoor use).



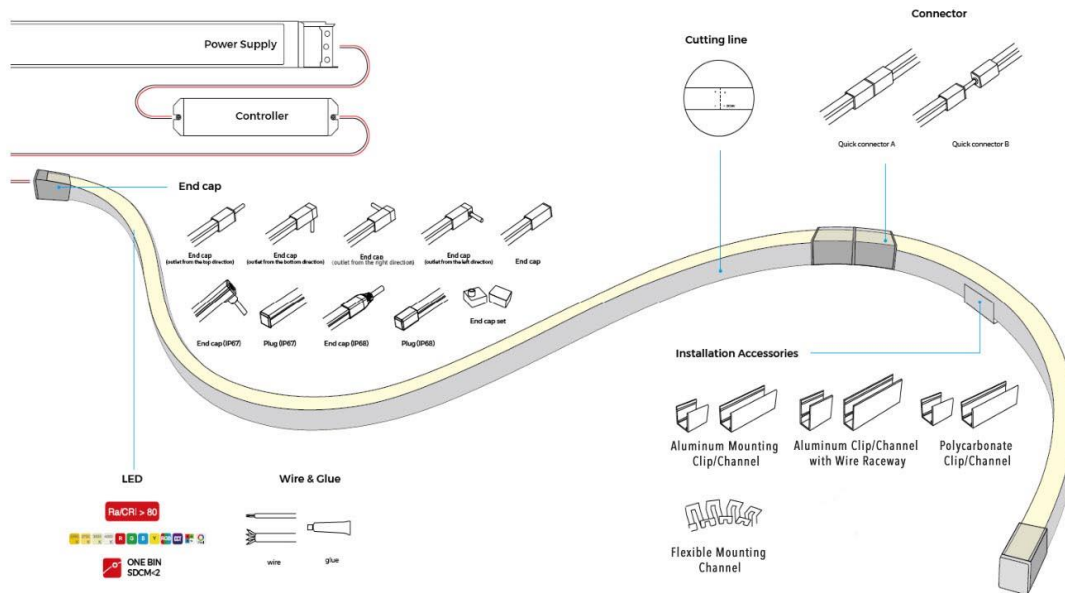
Size	SKU	Color	Voltage	Brightness	Consumption	RATING
6 x 12mm	PFB001	Cool White (5000K)	24V DC	300 Lumens/m	9.6w/m	IP67
6 x 12mm	PFB002	Natural White (3700K)	24V DC	330 Lumens/m	9.6w/m	IP67
6 x 12mm	PFB003	Medium White (3000K)	24V DC	320 Lumens/m	9.6w/m	IP67
6 x 12mm	PFB004	Candle White (2700K)	24V DC	280 Lumens/m	9.6w/m	IP67

STRUCTURAL DIAGRAM:



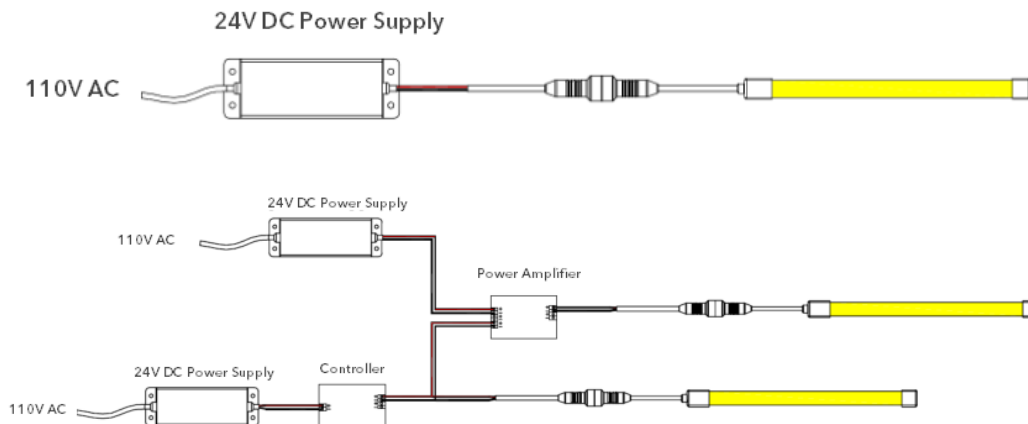
COMPANY	PROJECT	AREA	APPROVED BY	DATE

AVAILABLE ACCESSORIES

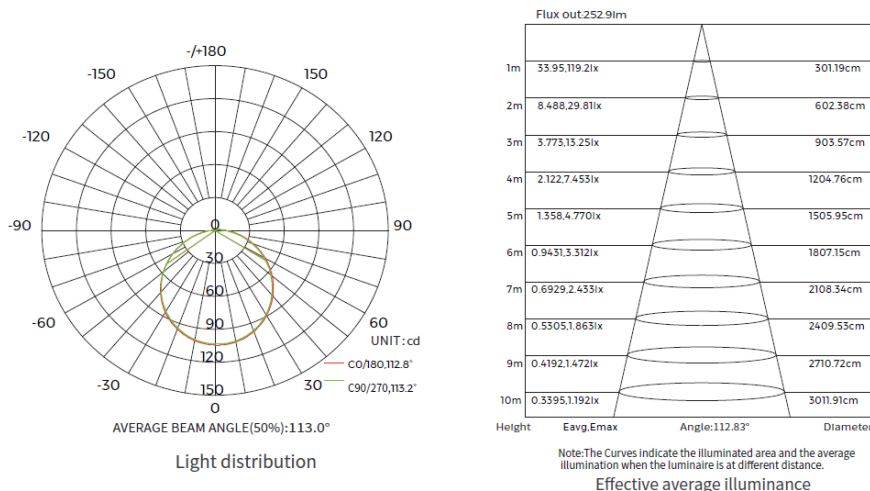


WIRING DIAGRAM

NON-DIMMABLE

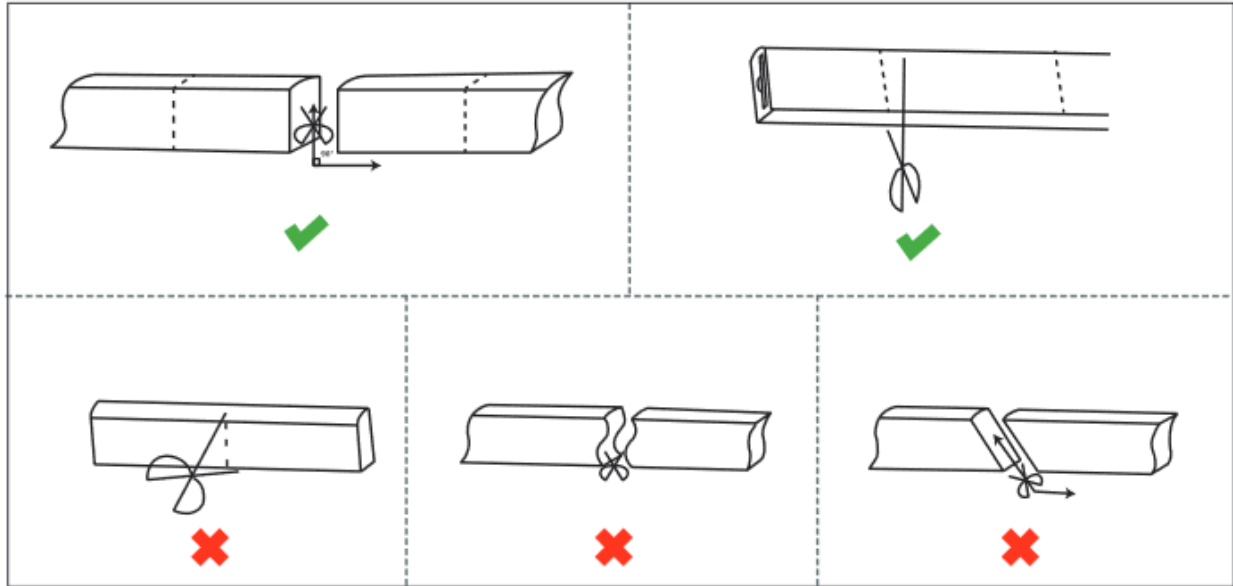


LIGHT DISTRIBUTION

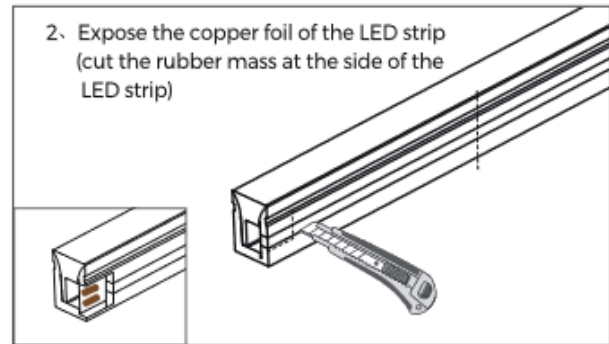
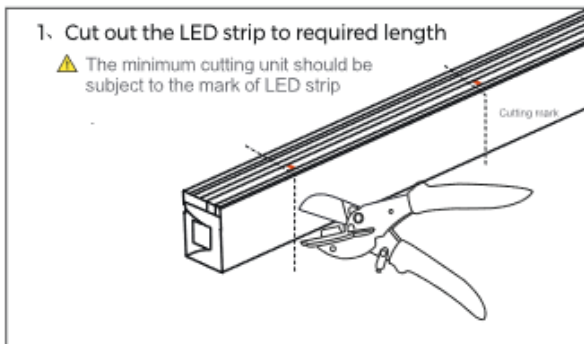


CUTTING/CONNECTION INSTRUCTIONS

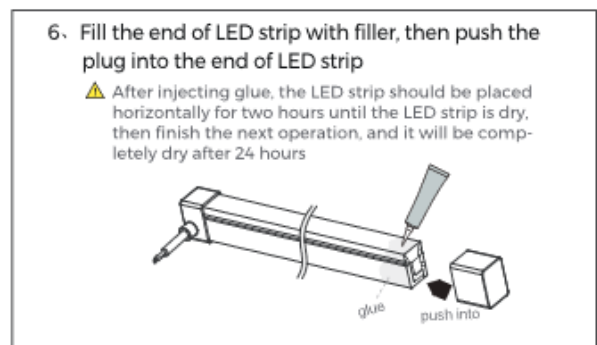
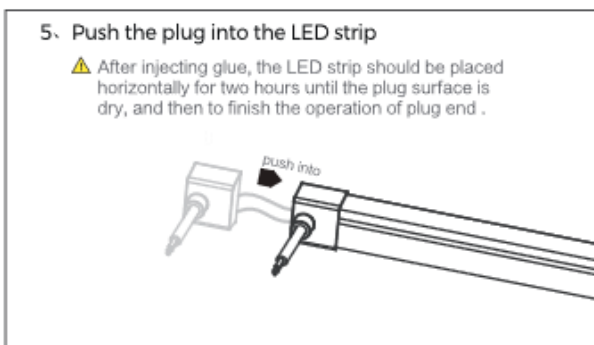
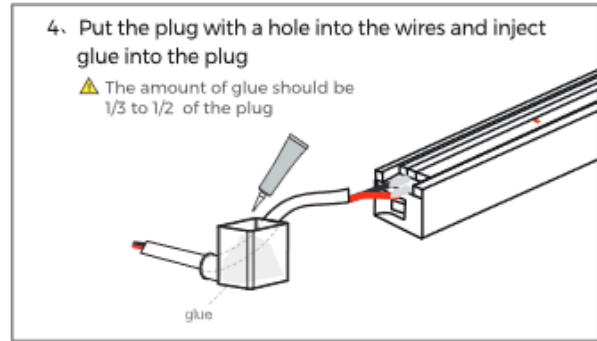
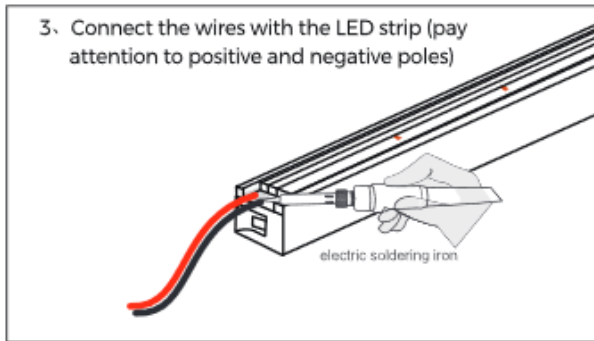
It is highly recommended to cut the LED at a straight 90° angle directly on the cut sections marked on the exterior jacket. This will avoid damaging LEDs inside the housing. Cutting at an angle is not recommended as it can cut areas not intended to be trimmed, which may have adverse effects.



Once the LED is cut, use flush cutters or razor blade to expose the backside of the LED strip. The backside is the same side as the cut marks on the side of the jacket.

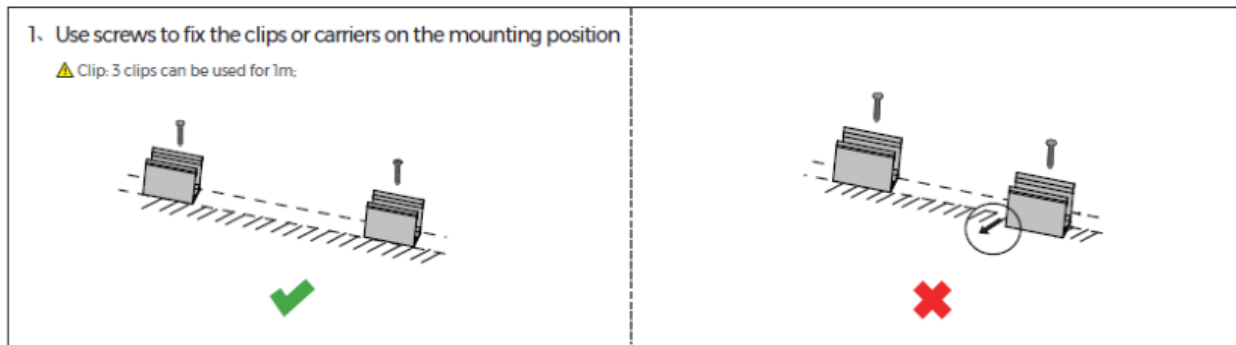


Proceed in soldering your wires to the LED strip, paying attention to the polarity.

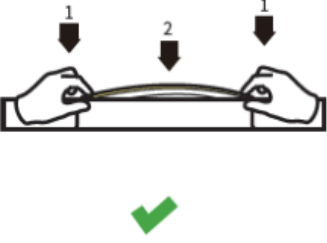
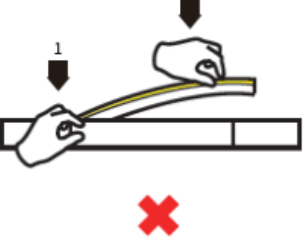

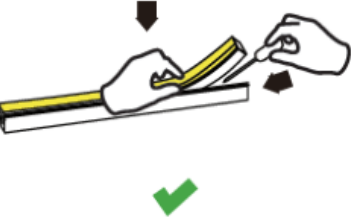

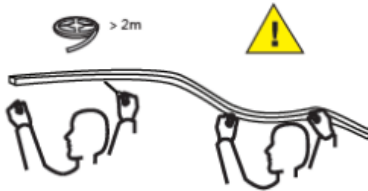


INSTALLATION INSTRUCTIONS

Using mounting clips - Make sure the mounting clips are on the same plane to avoid awkward bending of the strip.



Installation into linear channels or substrates - It is recommended to use caution when inserting the strip into channels and various substrates. Because the LED is not intended to have a tight bending radius laterally, make sure to use extreme caution when inserting or removing the strip from its channel.

<p>1. When installing the LED strip, install it from both ends at the same time, installation from one direction is prohibited.</p> 		<p>⚠ If the length of LED strip is over 2m, it is recommended to install by two persons.</p> <p>> 2m</p> 
<p>2. Use tool to disassemble carefully, and do not pull the LED strip directly.</p> 		<p>⚠ If the length of LED strip is over 2m, it is recommended to disassemble by two persons.</p> <p>> 2m</p> 

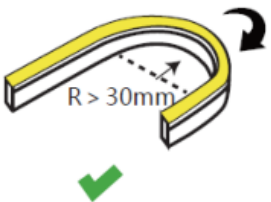

FAQ

Can Pixel-Free LED Trim be cut?

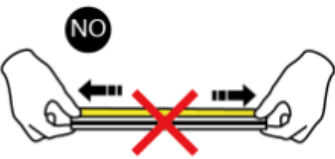
Yes, cut point on Pixel-Free LED Trim can be cut every 25mm (~1"). Any cut point should be sealed with a silicon adhesive along with the Pixel-Free LED Trim end caps. These end caps keep debris and moisture from entering when a waterproof adhesive is applied.

Is Pixel-Free LED Trim able to bend back and forth?

While Pixel-Free LED Trim has the tightest bending radius in its class (30mm = 1.2"), back and forth bending can cause premature failure of the strip. We recommend handling the product with care, and bending minimally while the product is placed in its fixed location.


<p>ensure the minimum bending radius is at least 30mm</p> 	<p>do NOT bend at extreme 90° Angles</p> 
---	--

NO




do NOT stretch or pull

NO



do NOT twist

NO



do NOT use in areas where pressure is applied to the surface



PRECAUTIONS

- Use 24V DC Isolated Power Supply to drive Pixel-Free LED Base Trim and the confirm ripple wave of constant voltage source is less than 5%. Do not use RC Voltage reduction or non-isolated power supply to drive LED Strip.
- In order to guarantee sufficient voltage is available to drive LED Strip in all conditions, make sure power supply is rated for 20% more than LED Strip consumption.
- Do not touch AC Power Supply when powered on
- Polarity Matters! Make sure to wire positive and negative poles of wires during installation to avoid damage to the strip.
- Avoid scratching, distorting, and repeated bending of product during installation. Not following this can cause irreparable damage to strip.
- Do not bend Pixel-Free Base LED Trim with a radius less than 30mm (1.2")
- Product is not intended to be submerged and used in swimming pools or hot tubs
- Professional installation recommended